

FAAST™ Fire Alarm Aspiration Sensing Technology Automatic Purging Unit: F-BO-AFE70-2

Overview

The FAAST Automatic Purging Unit provides a fully integrated and compact solution with user-selectable preventative or event triggered purging programs. An intelligent and installation-friendly design ensures AFE70-2 is a cost effective and reliable means of preventing pipe network contaminant blockages.

Features

- A fully integrated and compact system, designed for larger pipe networks
- Designed for use in Honeywell Aspiration Smoke Detection (ASD) systems
- Patented design without air resistance (as defined by EN 54-20)
- 6 user selectable preventative or event-triggered purging programs
 - Short or long purging cycle options
- Internal clock or external clock timer can be connected
- Several systems can be coupled in Master-Slave mode
- Manual control via external push-button
- Automatic initiation if a fault message is received from the ASD system (activating through FACP only)
- Easy commissioning without software tools
- Multicolored LED indicates the system condition



Description

ASD systems continuously monitor the air in a protected environment, potentially subjecting the system to contamination over time. In order to prevent the build up of pipe or aspiration hole contaminants, regular ASD system purging with compressed air is essential.

In contrast to conventional purging systems, Honeywell's compact and user-friendly AFE70-2 unit features a single built-in Solenoid valve, which initiates the release of air into the ASD system. This valve also increases reliability by protecting the unit from any compressed air damage and can be accessed through a control board that is integrated into the housing.

Installation time is greatly reduced, thanks to a compact and fully integrated design, removing the need for mechanical and electrical control devices. Further cost savings can be leveraged by a reduced need for cabling and pipe work to commission the system.

With user-definable purging processes and customisable program features, AFE70-2 delivers continuous and uninterrupted air flow and is also optimised to assist with benchmark preventative maintenance regimes, through automatic purging processes that can be set up at specific times. These purging processes are independent of any fault-initiated purging procedures performed by the system.

Designed with the engineer in mind, the system offers excellent flexibility; external devices - such as a push-button or a central timer - can be connected to an input to allow initiation of additional manual or automatic activations of the purging process.

Architect/Engineer Specifications

Purging Unit

Height	68 mm
Width	204 mm
Depth	160 mm
Housing Cover Colour	Grey white, RAL 9002
Weight	3.2kg (approx.)
Patent Number	AT 514912

Environment

Operating Temperature	+5°C to +50°C
IP Rating	IP20D
Relative Humidity	Max. 95% at 40°C

Compressed Air Connection

Max. Permissible Overpressure	0.7MPa (7.0bar)
Recommended Minimum Pressure	0.2MPa (2.0bar)
Flow Rate Solenoid Valve	0.2MPa: typ. 1,300 l/min
	0.4MPa: typ. 2,300 l/min
	0.6MPa: typ. 3,200 l/min
	0.7MPa: typ. 3,700 l/min

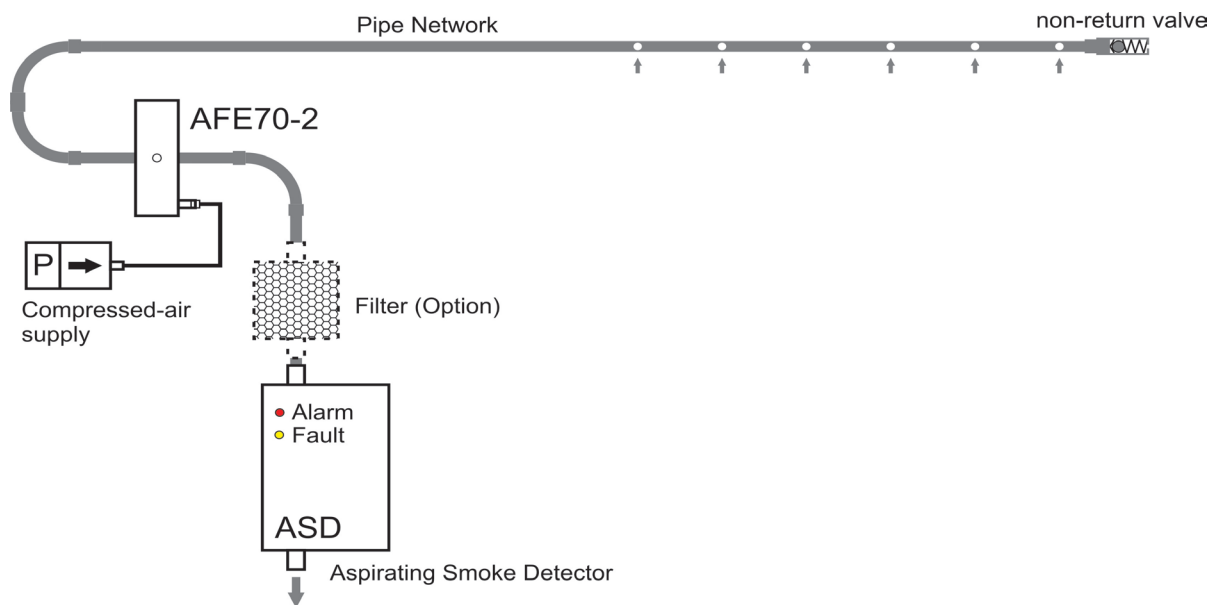
Ordering Information

Order Name	Purging Unit / AFE70-2
Part Number	F-BO-AFE70-2

Electrical Specification

Supply Voltage	21.6 – 30 VDC
Current Consumption @ 24V	8mA (normal condition)
	300mA (solenoid valve energised)

System Configuration



System Sensor Europe (Technical Services)

System Sensor Europe
 Unit C2
 Foundry Lane, Horsham, West Sussex,
 RH13 5YZ, UK

Tel: +44 (0) 1403 226240
 Fax: +44 (0) 1403 330695
 Email: sse.technical@systemsensor.com
www.systemsensoreurope.com

Copyright © 2016 System Sensor. All rights reserved.
 All technical data is correct at the time of publication and is subject to changes without notice. All trademarks acknowledged.
 Installation information: In order to ensure full functionality, refer to the installation instructions as supplied.

System Sensor Europe (Customer Services)

Life Safety Distribution AG
 Javastrasse 2,
 8604 Hegnau
 Switzerland

Tel: 0041 44 943 4400
 Fax: +44 (0) 1403 330695
 Email: orders@systemsensor.com